

POWERTRONIX, provides the Solar Power Industry with high efficient Toroidal Transformers and Inductors, based on innovative, reliable designs with world wide safety agency approvals. We work closely with our customers to fully understand their needs and we provide unique, high quality, cost effective products, manufactured in our large ISO 9000 certified manufacturing facilities

98%+ Efficient Solar Harvesting with Powertronix Transformers

- High Quality & Reliable 
- Unique Designs & Construction
- Large Production Capacity

www.powertronix.com
650/345-6800



Description

Powertronix energy conversion transformers are made to customer specifications. Design and construction process has been developed to overcome early saturation due to dc injection. Powertronix transformers are also resilient to harmonics and quiet. They are manufactured with high quality materials to assure high quality, long life and consistency

Specification:

Power : 1kVA to 20kVA
 Frequency : 47Hz to 63 Hz
 Primary : customer specified
 Secondary : customer specified
 Efficiency : 95% to 98.6%
 Isolation : 4kVA (Hi-pot)
 Temp rise: Customer specified
 Insulation classes: A, B, F, H
 Hi-pot : 4000Vrms
 Safety : UL approved
 RoHS : Compliant

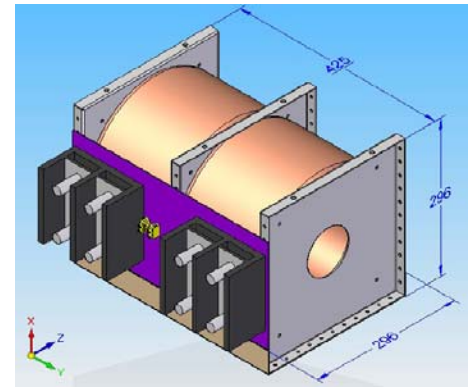
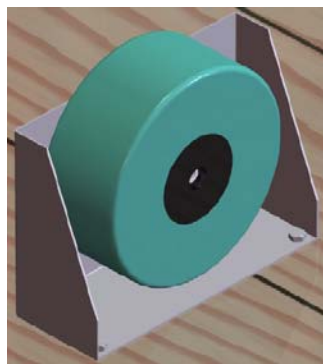
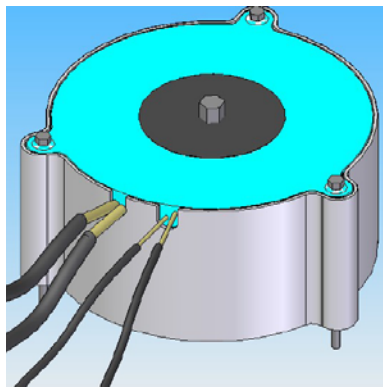
Do You Know:

Toroidal Transformer has many advantages compare to tradition transformers due to its inherent construction method, which is favorable for Energy applications

- Smaller and lighter
- High efficiency
- Wide choice of mounting options
- Lower no load power consumption
- Virtually no audible noise
- Wider choice of configuration

Typical Power Ratings:

- 1,200VA - 1Ø
- 2,400VA - 1Ø
- 3,600VA - 1Ø
- 4,800VA - 1Ø
- 6,000VA - 1Ø
- 12,000VA - 1Ø , 3Ø
- 20,000VA - 3Ø
- 30,000VA - 3Ø



Contact: Powertronix, 1120 Chess Drive, Foster City, CA, 94404, www.powertronix.com
 Tel : (650) 345-6800, Fax (650)345-7240, E mail : sales@powertronix.com